



# DEFENDER 90 AND ROVER expedition equipment



## Roll Cages

Defender 90 roll cages for recreational use are available in a number of versions to suit the type of vehicle and the use.

Stage One: A single hoop structure available with varying bends to fit vehicles with or without headlining.

With headlining Part No RBL074SSS [B/W]

Without headlining Part No RBL174SSS [B/W]

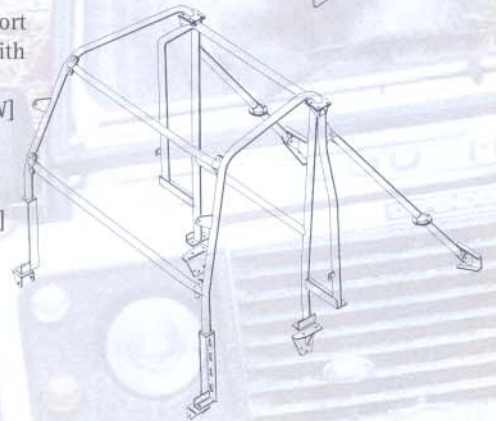


Stage Two: Stage One plus front legs mounting through the roof to internal rear hoop with short backstays that mount to the rear load area capping. Allows the use of side facing seats. Fits with headlining.

Part No RBL1426SSS [B/W]

Stage Three: Camel Trophy specification. Stage Two but with the rear backstays penetrating the body and mounting to the rear chassis cross member. Only fits without rear headlining.

Part No RBL926SSS [B/W]



## 90 External Roll Cage

Based on the cage supplied by Safety Devices to Land Rover for production line fitment to USA market 110 Defenders. Fits to eight chassis mounting points on hard top, soft top and station wagon versions and can be used as a base for fitting expedition equipment including roof rack and rear ladder. Zinc sprayed prior to powder coating.

Part No RBL1087SSS [B]

## Roll Cages – Truck Cab/Soft Top

Bolt-on cage comprises main hoop and backstays mounting to capping. Based on original design for military use. See page 14 for diagrams, photographs and part numbers – Defender 90 and Defender 110 utilise the same roll cage.

### Full Rear Cage (Soft Top only)

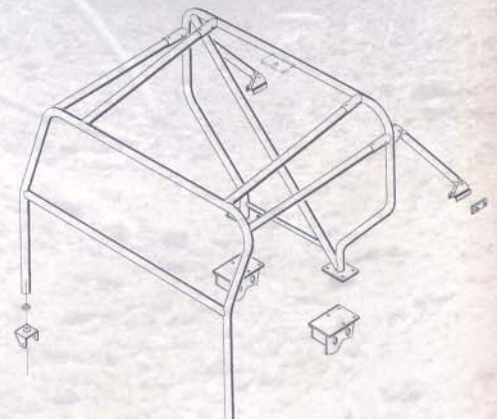
Rear section replaces hood sticks and includes seat belt mounts (not compatible with cages above). See page 14 for illustration of similar Defender 110 version.

Part No RBL1697SSS [B]

## Truck Cab External Cage

External cage, provides full roll protection without encroaching on cab space. The cage is chassis mounted, with detachable backstays mounted to the capping of the load bay, avoiding obstruction of valuable load capacity. Similar to 110 version on page 12. Zinc sprayed prior to powder coating.

Part No RBL1536SSS [B] (as illustrated)

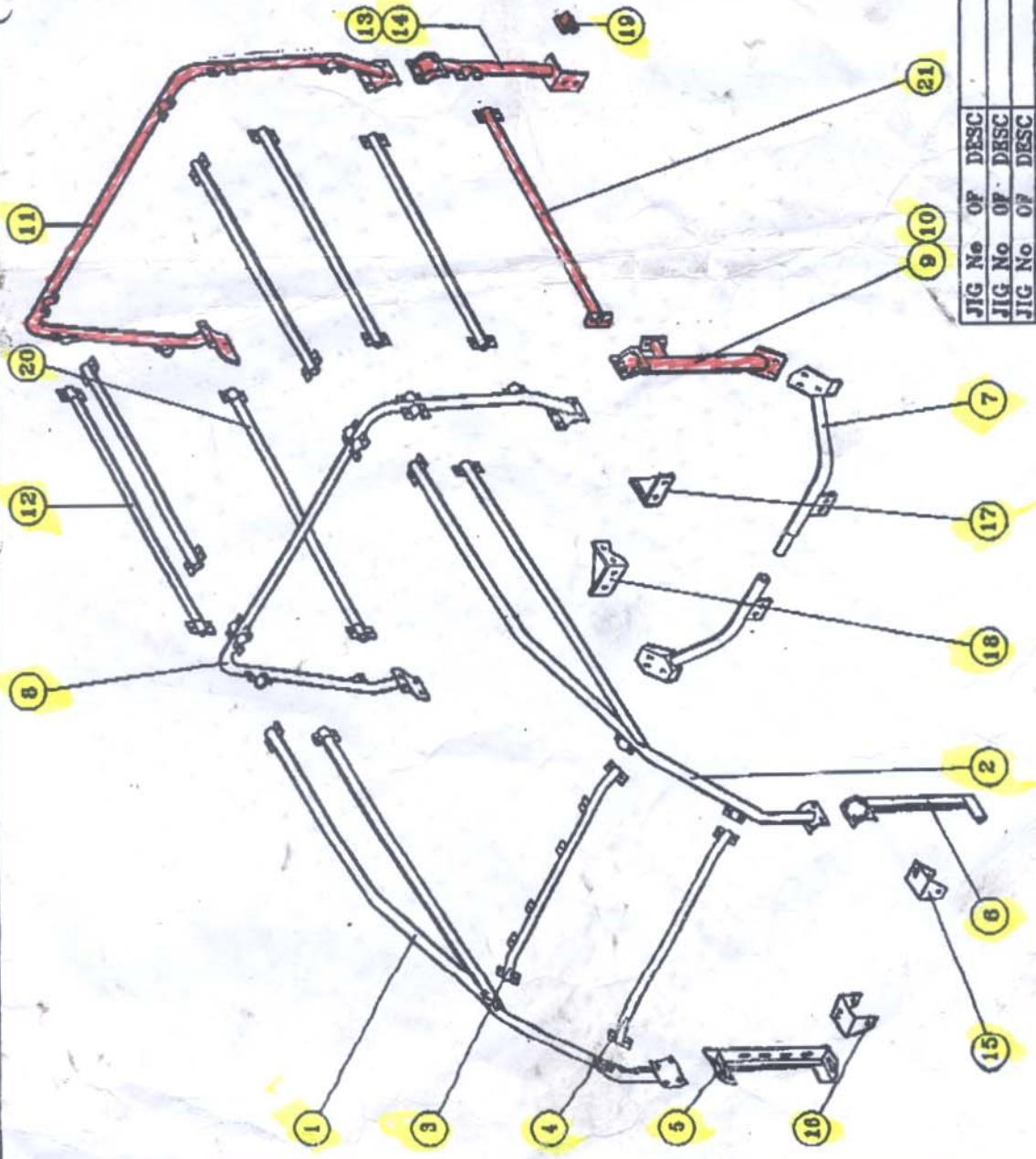


Part Number 'RBL1087SSS

Safety Devices Ltd. 30 Regal Drive, Soha Camba. CB7 5BE.

(Confidential & Copyright)

Item Qty	Part Number	Ref Number	Description
1	20/6000/205		RE-FRONT LAG ASSEMBLY
2	20/6000/206		LR-FRONT LAG ASSEMBLY
3	ALR3233		UPPER SCISSOR RAIL
4	ALR3234		LOWER SCISSOR RAIL
5	ALR3222		RE-FRONT UPSETTING MOUNT
6	ALR3221		LR-FRONT UPSETTING MOUNT
7	20/6000/199		CHASSIS 'T' TUBE ESSY
8	ALR3231		'B' POST BUMP
9	20/6000/200		RE-VEHT 'F' POST BUMP SUPPORT
10	20/6000/201		LR-VEHT 'F' POST BUMP SUPPORT
11	ALR3240		'T' POST BUMP
12	20/6000/204		UPPER SIDE RAIL
13	20/6000/202		RE-REAR CORNER UPRIGHT
14	20/6000/203		LR-REAR CORNER UPRIGHT
			FITTING KIT
15	ALR3219		LR-FRONT CHASSIS CAPTING POST
16	ALR3220		RE-FRONT CHASSIS CAPTING POST
17	ALR3560		LR-CHASSIS 'T' TUBE RAY
18	ALR3561		RE-CHASSIS 'T' TUBE RAY
19	20/6000/61		SPIDER TUBES
			LOWER SIDE RAIL OPTION
20	20/6000/207		RR-LOWER SIDE RAIL
21	20/6000/208		LR-LOWER SIDE RAIL
27			
28			
29			
30			
31			
32			
33			
34			
35			
36			
37			
38			
39			
40			
41			
42			
43			
44			
45			
46			



JIG No OF DESC
JIG No OF DESC
JIG No OF DESC
JIG No OF DESC

Rev.No.: Details:  
Issue 1 Production Release

All Tolerances Unless  
Otherwise Stated:  
LINEAR:  
No Decimals: 4mm  
Decimals: 0.5mm  
ANGULAR:  
±0.5 Degrees

DO NOT SCALE  
REMOVE SHARP EDGES  
IF IN DOUBT ASK

THIRD ANGLE

Drawn By: R. HALE  
Checked By:

Date Drawn: 23/6/98

Matl. Desc.:  
Matl. Spec.:

Finish:  
SEE PGM FRONT SHEET

Description:  
(L106) ROLL CAGE ASSEMBLY  
Vehicle:  
1/2000R 10000 EXT (NAS TYPE)